

PART NO	DESCRIPTION	QTY
E2	LAMP CONNECTOR	1
E1	LAMP	1
M4	NUT & BOLT FOR CLIP	1
M3	BRACKET MOUNTING SCREWS	4
M2	LAMP MOUNTING SCREW	1
M1	NUTS & BOLTS	8
R2	GLAND WASHER	1
R1	L SHAPED WASHER	1
P10	COLLER FOR 3/8\"/>	
P9	BASEPLATE CLIP	1
P8	3/8\"/>	
P7	CABLE	1
P6	MOUNTING BRACKET	1
P5	BASE PLATE	1
P4	GLAND ASSEMBLY	1
P3	LENS	1
P2	TOP COVER	1
P1	RING	1

UNDERWATER LIGHT DAZZLE

NOTES ON INSTALLATION

1. When installing an underwater light in a swimming pool, the following points should be taken into consideration :
 - For adequate lighting in a swimming pool, a light must be installed for every 25 or 35m² surface area of water.
 - In pools that are especially deep, a 100 W halogen light should be installed for every 30 or 40 m³ of water.
 - If the underwater lights are to be used in competition or training pools, the lights should be installed along the side walls to avoid blinding the swimmers during night trials.
2. At all times ensure that the voltage supplying the bulbs is never more than 12 V.
3. Article to be used completely underwater ,fixed onto the walls.

ASSEMBLY INSTRUCTIONS

1. Place the light support in the assigned place, as shown in fig.1. Note position of the holes and drill and screw support into the wall.
2. 20NB i.e.25mm conduit pipe should be used from the junction box outside the pool to the point where the light is to be installed. At the point of entry into the pool, ¾ BSPF threaded end connector is required. Fix the packing gland provided with the light into this end connector, as shown in fig.2.

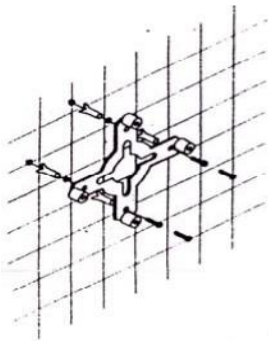


FIG 1

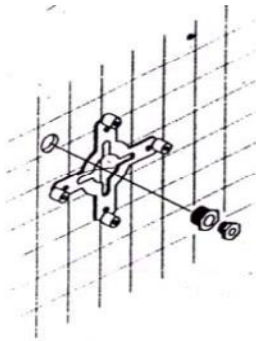


FIG 2

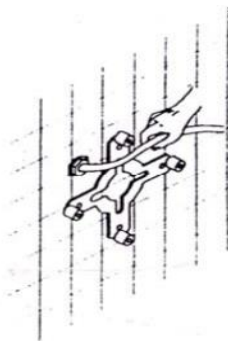


FIG. 3

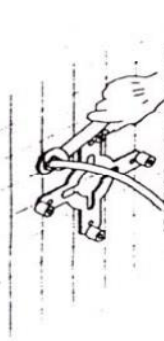


FIG. 4

3. The underwater light is supplied with 3.5 meters of cable. Thread 2 meters through the packing gland leaving the remaining 1.5m. on the inside of the light so that it can be brought to the pool edge when being disassembled (e.g. for changing the bulb etc.)
4. Tightened the packing gland (fig.4)
5. Remove top cover ring using screwdriver in the slots provided fix light onto the bracket clip,then tighten screw on the top.For back top cover ring.

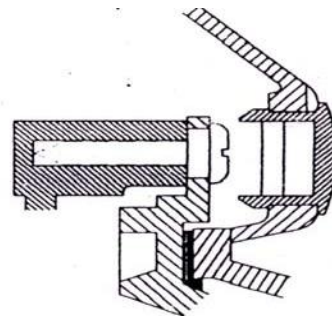
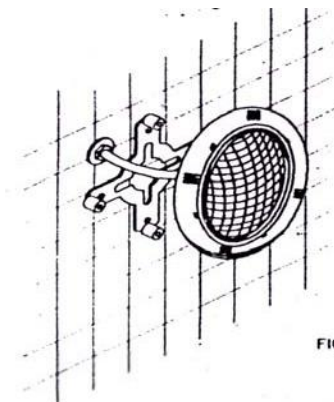


FIG. 5